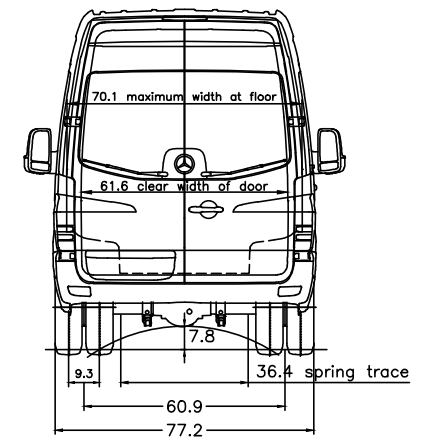


Hecktueroeffnung 90°/180°
(rear door opening)
Sonderausrustung 260°
(optional equipment)



- Important notes:**
- It is the responsibility of the bodybuilder to ensure that the vehicle is suitable for homologation after the body has been mounted.
 - The drawing is simplified to some extent and is not legally binding. For more details and further explanations please see the MBAC-Info User Guide in the bodybuilder portal.
 - Please check whether the drawing specification complies with the chassis configuration of your order.
 - Optional equipment codes not listed here, KW-codes and changes resulting from feasibility checks (BBA) are not included in the drawing.

vehicle type :	loading space =	547 cu.ft.	H		G		α°		β°		γ°		All dimensions refer to the standard version. Measurements of laden vehicle.		The reserve of rights for this drawing/the drawing may neither be copied nor passed on to any third person.				
906.657-13	84 sq.ft.		unladen	unladen	27	111	18	10	14	Our instructions for the manufacture of superstructures must be observed, when planning in fit bodies of other than Mercedes-Benz manufacturers.		Dimensions are subject to a tolerance of up to +/- 3%		Cargo Van/Crew Van					
tyres	215/85R16	gross vehicle weight	GW (t)	FA (t)	2269	839	RA (t)		Subject to change.		23.04.15		Abtig./Lept./TE/8500 70546 Stuttgart		3500/4x2/170.3				
	215/85R16													Mercedes-Benz		HVA 9061000257			
														2025	Date	Order no.	2025	Date	Order no.