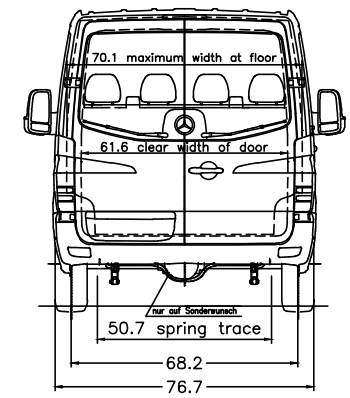


Hecktueroeffnung 90°/180°  
(rear door opening)  
Sonderausrustung 260°  
(optional equipment)



- 123 Sprinter standard
- 124 Wheelbase 3005 mm
- 125 Engine OM 842 DC 30 LA 140 kW (190 hp) 3800 rpm
- 126 Engine low-emission EPA 14/24/88
- 127 Tires LT 245/75 R16
- 128 Adjustable co-driver seat
- 129 Sliding door right
- 130 Seats pass. comp. 3-seat bench 1st row narrow
- 131 Pass. comp. seating, 3-seater bench/narrow 2nd row
- 132 Passenger seats, 6-seater bench 3rd row
- 133 Figure weight 3,280 kg
- 134 All-wheel drive, engageable
- 135 Cruise

**Important notes:**  
 - It is the responsibility of the bodybuilder to ensure that the vehicle is suitable for homologation after the body has been mounted.  
 - The drawing is simplified to some extent and is not legally binding. For more details and further explanations please see the MBAC-Truck User Guide in the bodybuilder portal.  
 - Please check whether the drawing specification complies with the chassis configuration of your order.  
 - Optional equipment codes not listed here, KW-codes and changes resulting from feasibility checks (BBA) are not included in the drawing.

vehicle type :	loading space =	318 cu.ft.	H	G	α°	β°	γ°	All dimensions refer to the standard version. Measurements of laden vehicle.		The reserve of rights for this drawing/the drawing may neither be copied nor passed on to any third person.
906.733-13	59.2 sq.ft.	25.4	29.5	96.7	27	28	22	Our instructions for the manufacture of superstructures must be observed, when planning in fit bodies of other than Mercedes-Benz manufacturers.		
tyres	225/75R16	gross vehicle weight	GW (t)	FA (t)	RA (t)	Subject to change.		Dimensions are subject to a tolerance of up to +/- 3%.		Passenger Van
	225/75R16		1759	816				Abt. (Dept.) TE/800 70546 Stuttgart		
								18.06.15		2500/4x2/144.3
								205 Date		Order no.
								205 Date		Order no.
								Mercedes-Benz		HVA 9061000291