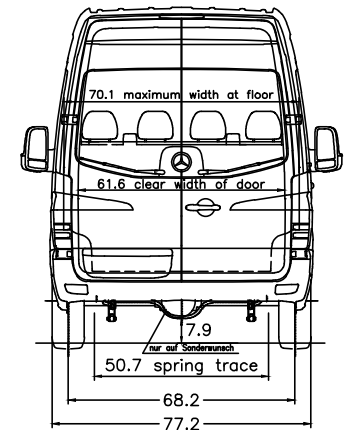


Heckueroeffnung 90°/180°
(rear door opening)
Sonderausrustung 260°
(optional equipment)



- D03 High roof
- D03 High roof
- D03 High roof
- D03 High roof
- D03 High roof
- D03 High roof
- D03 High roof
- D03 High roof
- D03 High roof
- D03 High roof

- MH5 Engine low-emission EPA 14/CAR8
- R08 Tyres LT 245/75 R16
- S04 Adjustable rear-view seat
- T18 Sliding door right
- U02 Seals comp. 3-seat bench 1st row narrow
- U03 Pass. comp. seating, 3-seater bench/narrow 2nd row
- U04 Passenger seats, 4-seater bench 3rd row
- X10 Higher weight 3,800 kg
- X00 F-Post
- Z04 Crossbar

Important notes:
 - It is the responsibility of the bodybuilder to ensure that the vehicle is suitable for homologation after the body has been mounted.
 - The drawing is simplified to some extent and is not legally binding. For more details and further explanations please see the MBAC-Free User Guide in the bodybuilder portal.
 - Please check whether the drawing specification complies with the chassis configuration of your order.
 - Optional equipment codes not listed here, KW-codes and changes resulting from feasibility checks (BBA) are not included in the drawing.

vehicle type :		loading space =	H		G		α° β° δ°		All dimensions refer to the standard version. Measurements of loaded vehicle.
unladen	unladen								
906.733-13	59.2 sq.ft.		23.6	26.2	107.3	18	16		Our instructions for the manufacture of superstructures must be observed, when planning in fit bodies of other than Mercedes-Benz manufacturers.
tyres	245/75R16 245/75R16	gross vehicle weight	GW (t)	FA (t)	RA (t)	Subject to change.			
			1759	816					
<p>Dimensions are subject to a tolerance of up to +/- 3%.</p> <p>Abdim. (Sept.) TE/SD0 70546 Stuttgart</p> <p>Passenger Van</p> <p>2500/4x2/144.3</p> <p>Mercedes-Benz HVA 9061000286</p>									