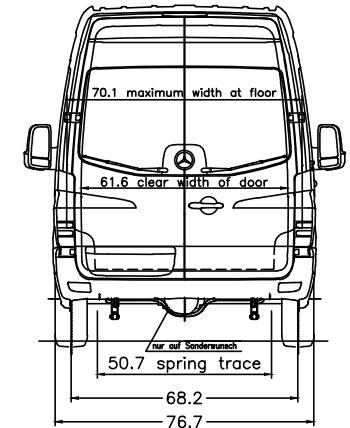


Hecktueroeffnung 90°/180°  
(rear door opening)  
Sonderausrustung 260°  
(optional equipment)



**Important notes:**  
 - It is the responsibility of the bodybuilder to ensure that the vehicle is suitable for homologation after the body has been mounted.  
 - The drawing is simplified to some extent and is not legally binding. For more details and further explanations please see the MBAC-Info User Guide in the bodybuilder portal.  
 - Please check whether the drawing specification complies with the chassis configuration of your order.  
 - Optional equipment codes not listed here, KW-codes and changes resulting from feasibility checks (BBA) are not included in the drawing.

- R06 Wheelbase 4325 mm, overhang 1815 mm
- M05 Engine Oil 942 DE 30 LA 140 kW (190 hp) 2800 rpm
- M08 Engine low-emission EPA 14/20km
- R04 Tyres LT 240/70 R16
- S04 Adjustable co-drivers seat
- T16 Sliding door right
- L08 Higher weight 3,800 kg
- M00 Foglert
- Z01 All-wheel drive, engageable
- M00 Panel van

vehicle type :	loading space =	494 cu.ft.	H		G		α° β° γ°		All dimensions refer to the standard version. Measurements of laden vehicle.		The reserve of rights for this drawing/the drawing may neither be copied nor passed on to any third person.	
906.635-13	79.7 sq.ft.		unladen	unladen	27	28	19			Our instructions for the manufacturer of superstructures must be observed, when planning in fit bodies of other than Mercedes-Benz manufacturers.		Dimensions are subject to a tolerance of up to +/- 3%
tyres	225/75R16	gross vehicle weight	GW (t)	FA (t)	RA (t)							Cargo Van/Crew Van
	225/75R16		1759	816								Abtlg. (Dept.) TE/SOD 70546 Stuttgart
										23.04.15		2500/4x2/170.3 HVA 9061000188
										2025	Date	Mercedes-Benz