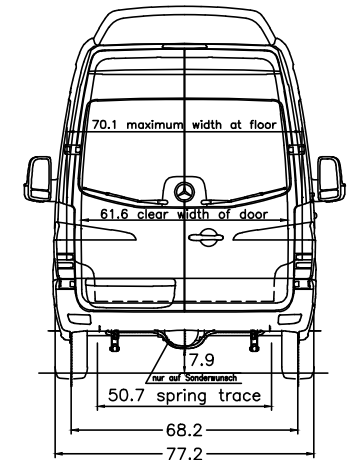


Hecktueroeffnung 90°/180°
(rear door opening)
Sonderausrustung 260°
(optional equipment)



Important notes:
 - It is the responsibility of the bodybuilder to ensure that the vehicle is suitable for homologation after the body has been mounted.
 - The drawing is simplified to some extent and is not legally binding. For more details and further explanations please see the Mercedes-Benz User Guide in the bodybuilder portal.
 - Please check whether the drawing specification complies with the chassis configuration of your order.
 - Optional equipment codes not listed here, KW-codes and changes resulting from feasibility checks (BBA) are not included in the drawing.

- 103 Sprinter standard
- 107 Wheelbase 4325 mm, overhang 2015 mm
- 103 Engine OM 681 DC 22 14 120 kW (163 hp) 3800 rpm
- 104 Engine 100-entlastet EPA 14/CAEB
- 108 Tyres LT 245/75 R16
- 104 Adjustable co-drivers seat
- 116 Sliding door right
- 12.0 Higher weight 3,880 kg
- 230 F-Model
- 240 Panel van

vehicle type :	loading space =	600.3 cu.ft.	H	G	α°	β°	δ°	All dimensions refer to the standard version. Measurements of laden vehicle.		The reserve of rights for this drawing/the drawing may neither be copied nor passed on to any third person.
906.637-13	84 sq.ft.		unladen	unladen	18	10	13	Our instructions for the manufacture of superstructures must be observed, when planning in fit bodies of other than Mercedes-Benz manufacturers.		
tyres	245/75R16	gross vehicle weight	GW (t)	FA (t)	RA (t)	Subject to change.		23.04.15		Cargo Van/Crew Van
	245/75R16		1759	816				Abtlg. (Lept.) TE/SOD 70546 Stuttgart		2500/4x2/170.3 HVA 9061000196
								2025 Date Order no.		2025 Date Order no.